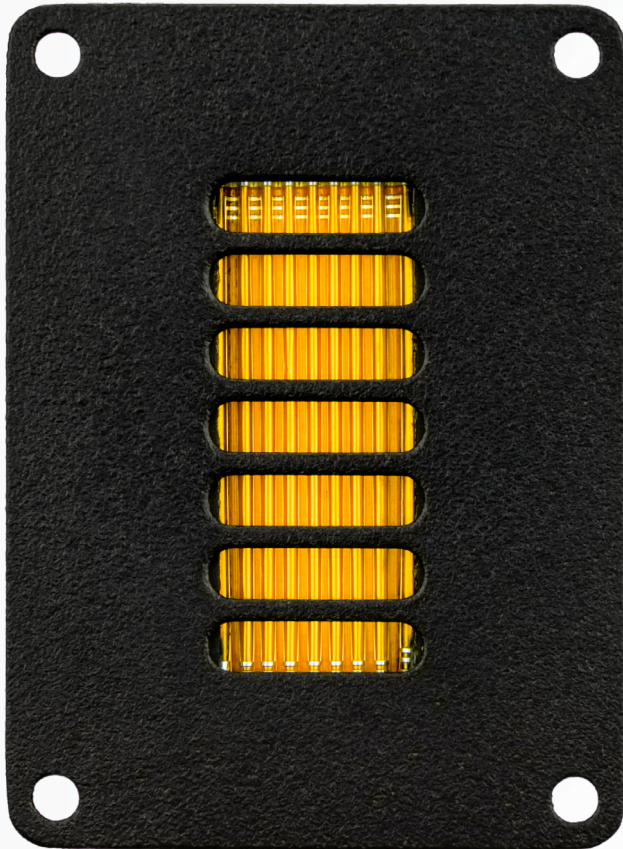


## AMT U60W1.1

Tweeter

Samples available: Immediately

Start of sale: Immediately



**AMT U60W1.1** and **AMT U80W1.1** could be described as the small and the large all-rounder of this product range. Both can be used in small or medium 2-way and 3-way systems. **AMT U60W1.1** offers a slightly larger vertical radiation angle. So it's ideally suited for situations with a short listening distance. Both convince with the decisive quality features of the **AMT U.Series** with **Mundorf diaphragm**: Exceptionally low K3 / K5 distortion data, a truly powerful music performance within the entire application range and, at the same time, the fine micro-dynamics and richness of music details that distinguish all **Mundorf AMT's**.



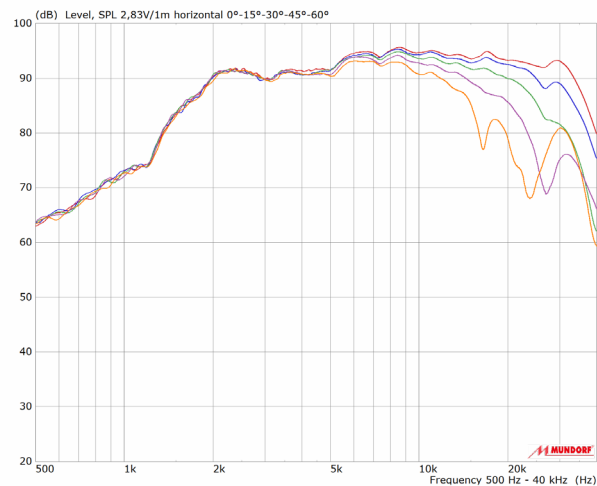
## Specifications

|   |                       |
|---|-----------------------|
| Nominal Impedance                             | 4 Ω                   |
| DC Resistance ( $R_{dc}$ ) ( $Z_{min}$ )      | 4.0 Ω                 |
| Sensitivity (2,83 V / 1m) <sup>1</sup>        | 93 dB                 |
| Resonance Frequency (FS)                      | 2350 Hz               |
| Frequency Response (-6dB)                     | 2.1 kHz - 34 kHz      |
| Frequency Response (-10dB) <sup>1</sup>       | 1.8 kHz - 36 kHz      |
| Crossover from (filter 12dB/6dB/Oct.)         | 2.2 kHz / 3.3 kHz     |
| Nominal Frequency Range <sup>3</sup>          | 2.5 kHz - 34 kHz      |
| Power Handling, long term <sup>1,2</sup>      | 10 W <sub>rms</sub>   |
| Power Handling, short term <sup>1,2</sup>     | 70 W <sub>rms</sub>   |
| Max. Input Voltage, long term <sup>1,2</sup>  | 6.3 V <sub>rms</sub>  |
| Max. Input Voltage, short term <sup>1,2</sup> | 16.4 V <sub>rms</sub> |
| Effective Piston Area                         | 20.1 cm <sup>2</sup>  |
| Total Weight                                  | 0.254 kg              |
| Face Plate                                    | optional              |

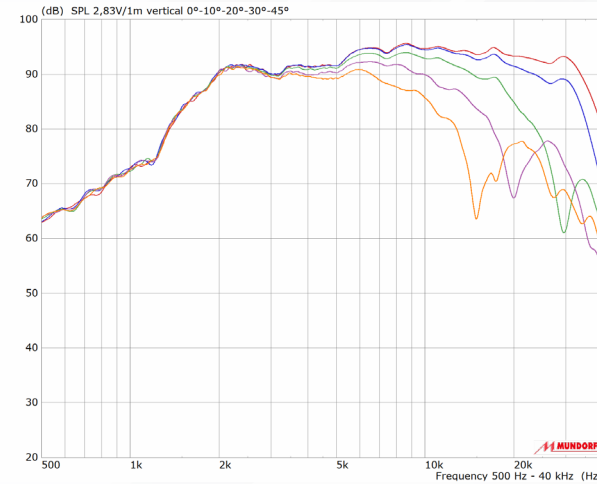
- 1) according to IEC 60268-5  
 2) via High Pass Filter, Butterworth 2500 Hz 12 dB/Okt.  
 3) according to power measurement

## Measurements

SPL Horizontal 0° - 15° - 30° - 45° - 60°

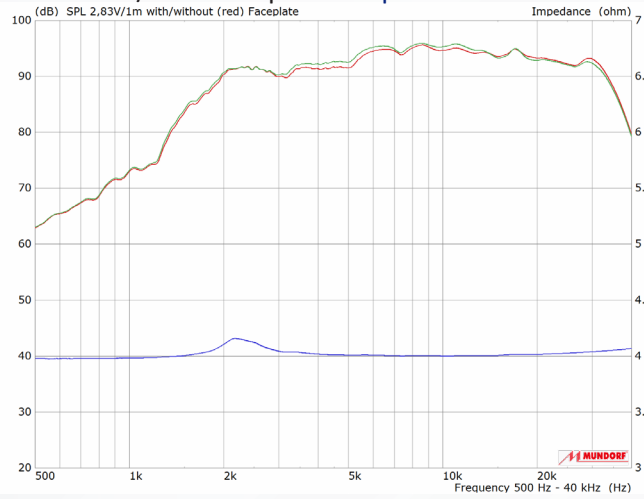


SPL Vertical 0° - 10° - 20° - 30° - 45°

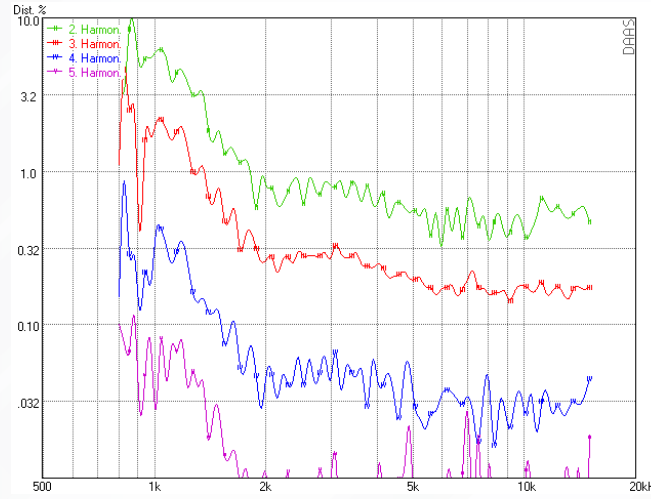


## Measurements

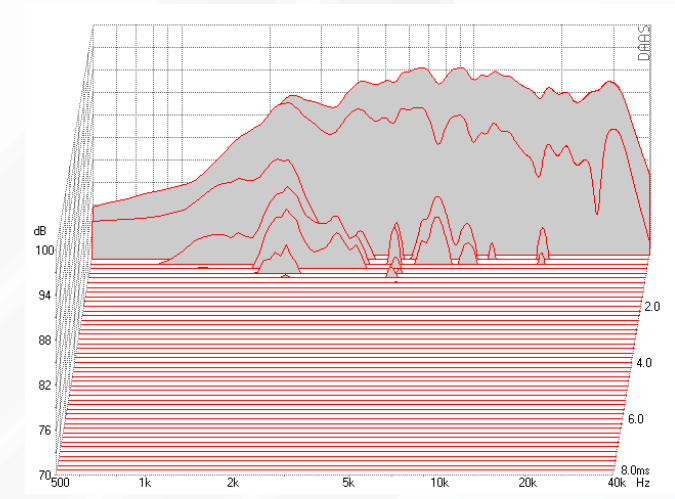
### SPL without / with Faceplate - Impedance



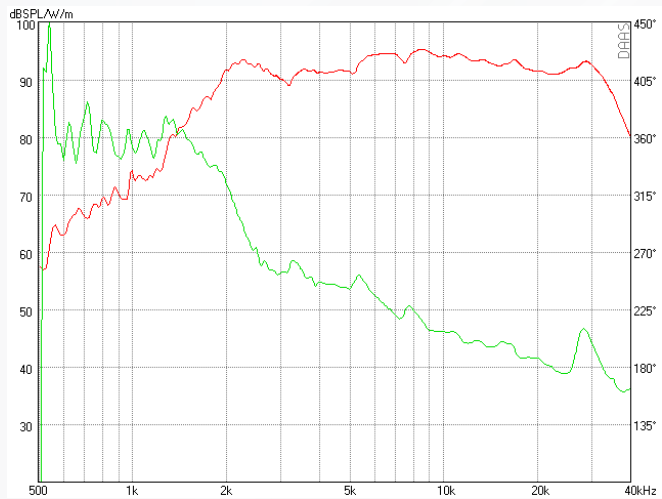
### Harmonic Distortion 2.83 V



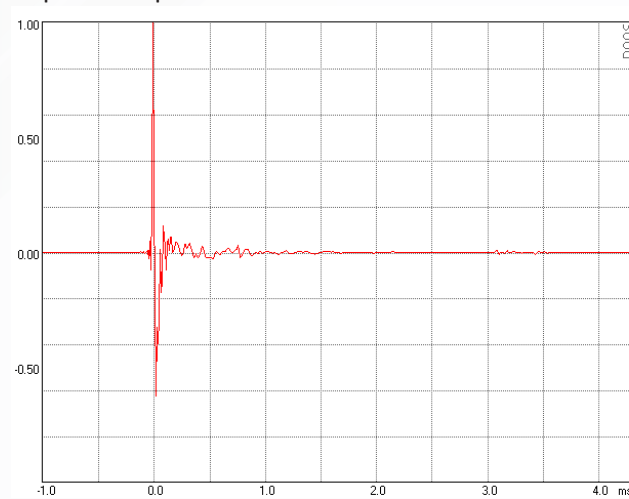
### Waterfall



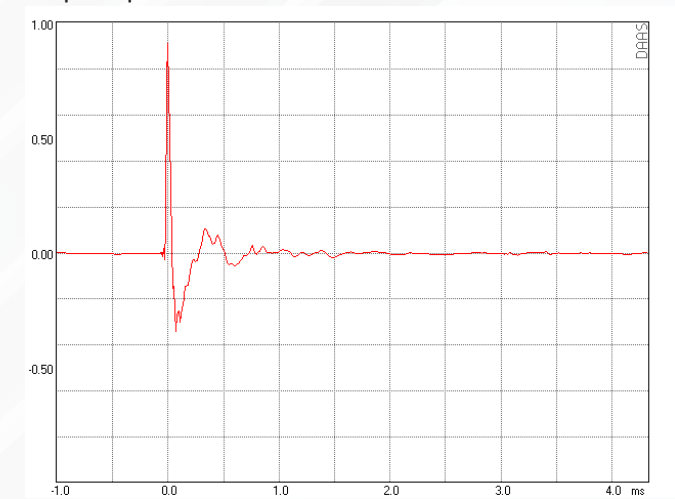
### SPL - Phase



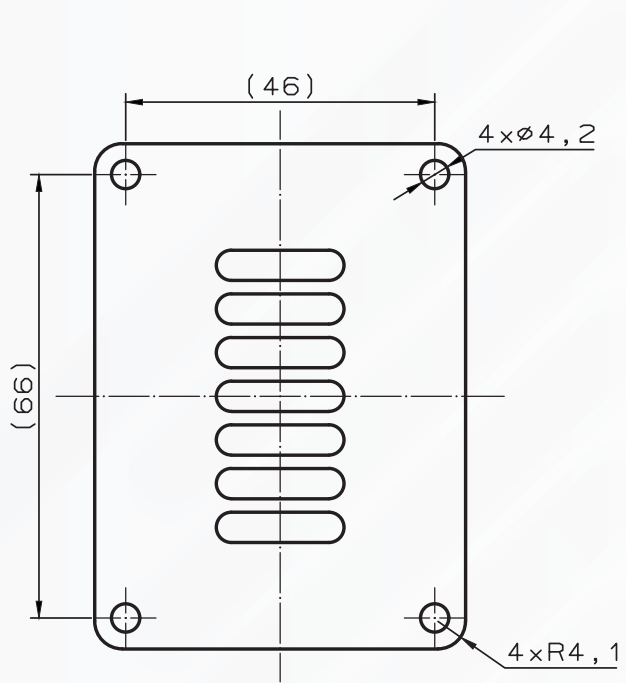
### Impulse Response



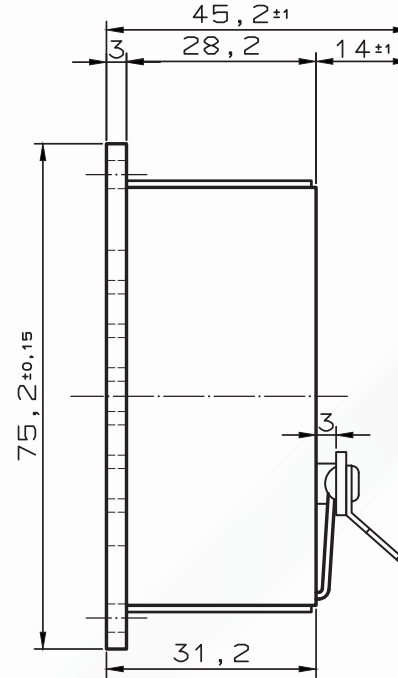
### Step Response



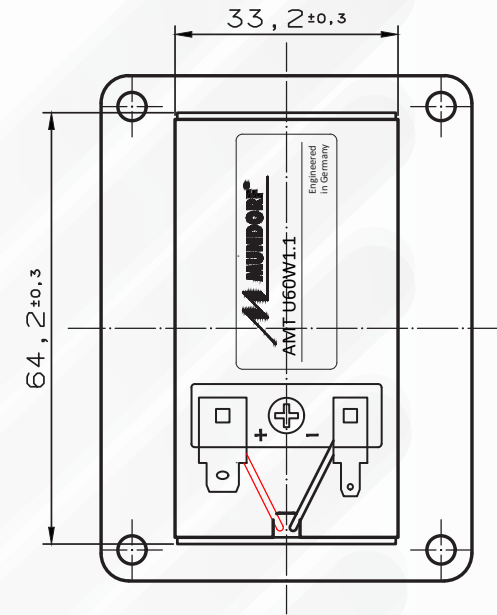
Dimensions



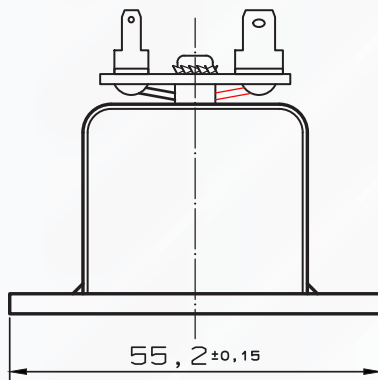
Front view



Sideview

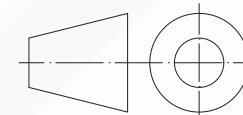


Rear view



Top view

|                          | Dimensions | Tolerance |
|--------------------------|------------|-----------|
| Length                   | 75 mm      | + 0,5 mm  |
| Width                    | 55 mm      | + 0,5 mm  |
| Depth including terminal | 45 mm      | +/- 1 mm  |



All measurements are in mm.